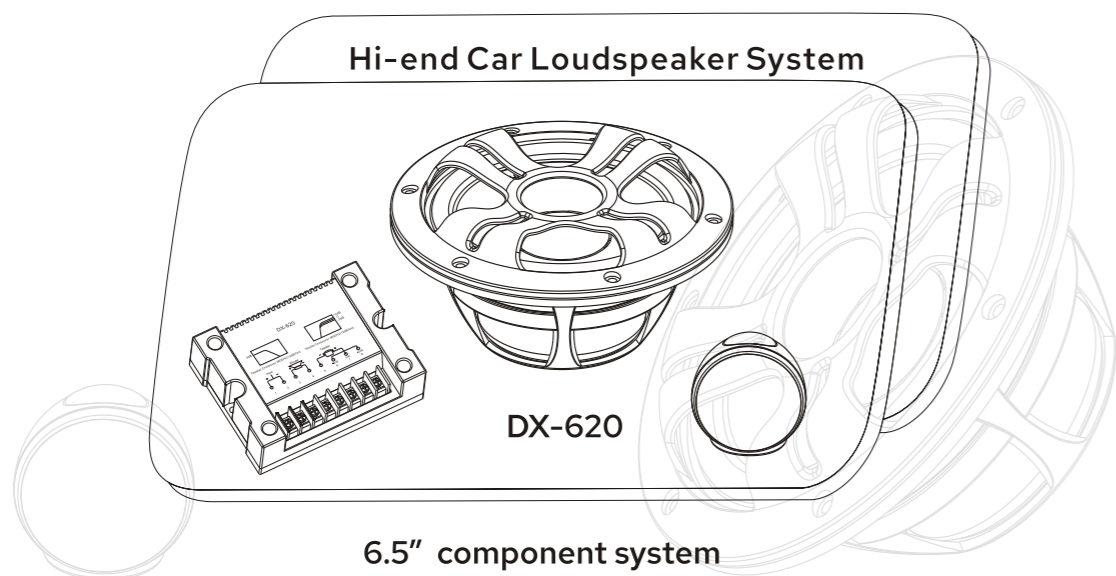




D SERIES MANUAL

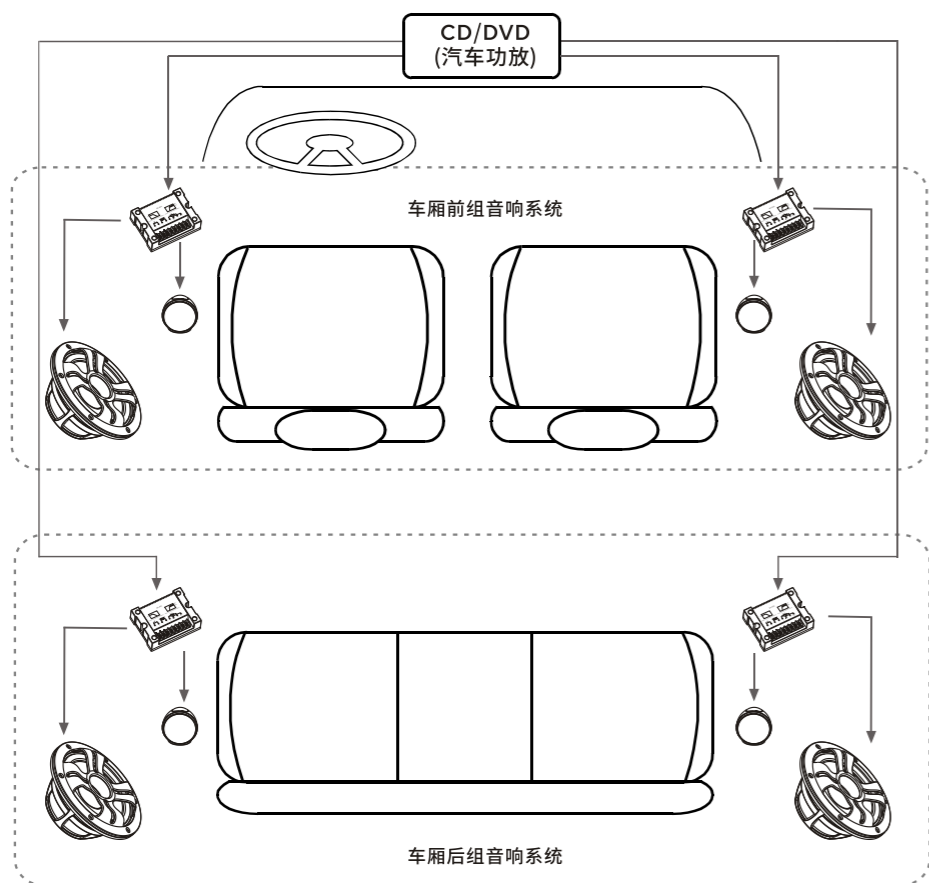


欢迎您选购惠威车用扬声器系统。为了便于您的安装及使用，我们编写本折页。请务必在安装使用之前，仔细阅读并清楚了解安装程序及注意事项，依据不同型号的扬声器系统，采用不同的安装方式。

虽然本折页说明了安装的方式，但是对于汽车拆装并没有作说明，假如您没有此方面的经验，请不要自行安装，您可以去有经验的汽车服务处进行咨询。

请特别注意您的汽车处于熄火状态!

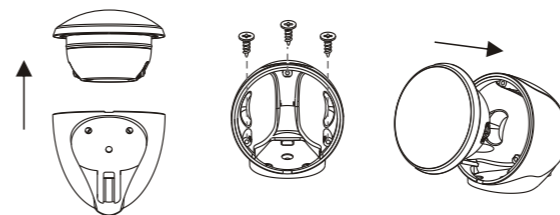
一、线路图：请按照以下线路图连接



二、高音喇叭安装

1、将高音喇叭从后罩中取出，按图示位置在后罩内打上3个螺丝固定。（调整后罩方向，以便达到理想的听音效果。）

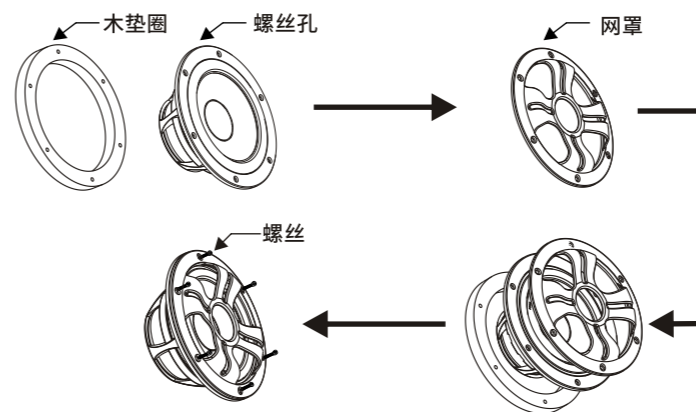
2、固定后罩后，把高音喇叭放入后罩内。



三、低音喇叭安装

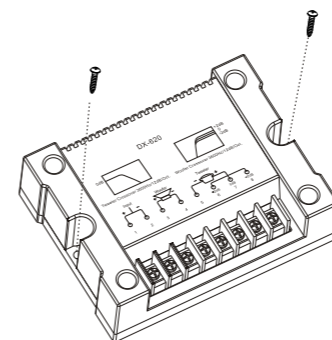
1、将车窗玻璃放到最低，将低音单元放入喇叭安装孔内，确认不会影响车窗的上下，如有影响，安装单元时需要增加我们配套的垫圈。

2、将低音单元放到您需要安装的位置，确定好需要上螺丝的位置并做好标记，然后用3.5mm的钻头钻6个安装孔。对于原车安装子孔合适的这一步可以省略。然后将喇叭和垫圈一起用螺丝上到车门上，注意一定要确保不会漏气，因为这对低音的重放的影响是至关重要的。



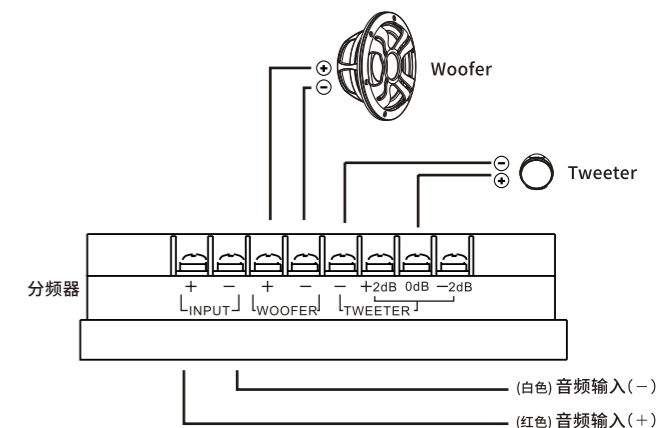
四、分频器安装：

1、在车门或其它您想安装的地方确定安装位置，以不影响其它部分为准，然后将分音器用螺丝固定在上面，如下图：



五、接线方法：

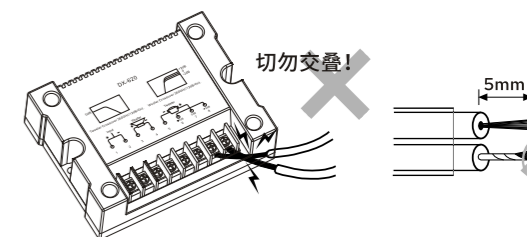
1、分频器与高音、低音连接示意图。



注：高音部分可以根据汽车内饰情况及个人喜好设定为+2dB、+0dB、-2dB三种状态。

六、安装注意事项：

1、铜线的裸露部分不要太长，约5mm左右（如下图），以免在使用中产生交叠而引起短路。



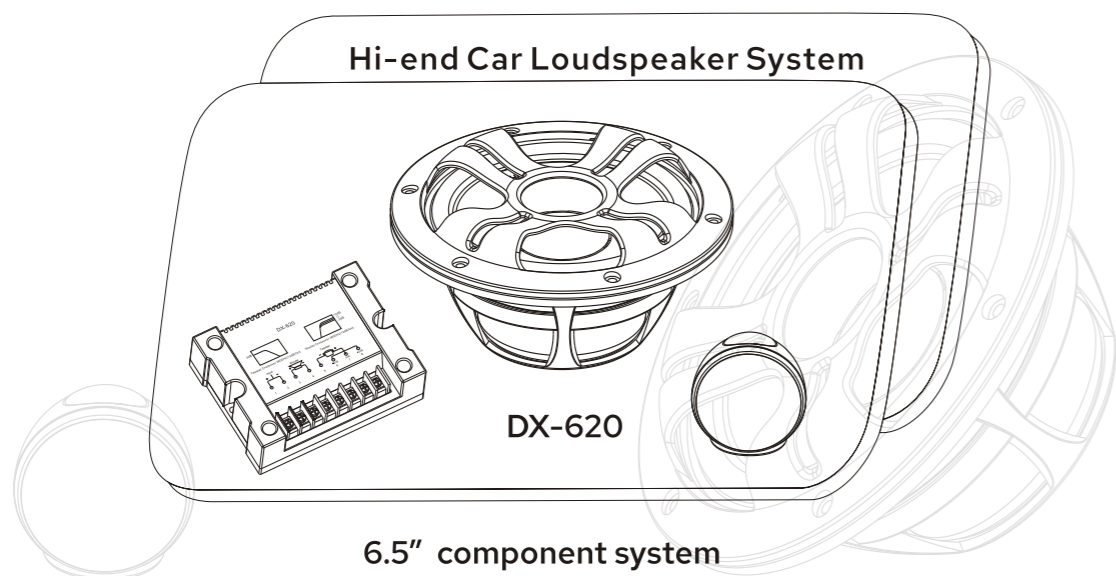
七、规格：

型号	DX-620
6.5"中低音	DX620W
28芯软球顶高音	DX28T
灵敏度	88dB
频率响应	60-20KHz
最大功率	120W
额定功率	60W
额定阻抗	4Ω
安装尺寸	Ø158mm
开孔尺寸	Ø140mm
安装深度	>68mm
网罩尺寸	175x18mm
分频点	3.6KHz
高通衰减斜率	12dB/Octave
低通衰减斜率	12dB/Octave

惠威车用扬声器系统
www.hivi.com



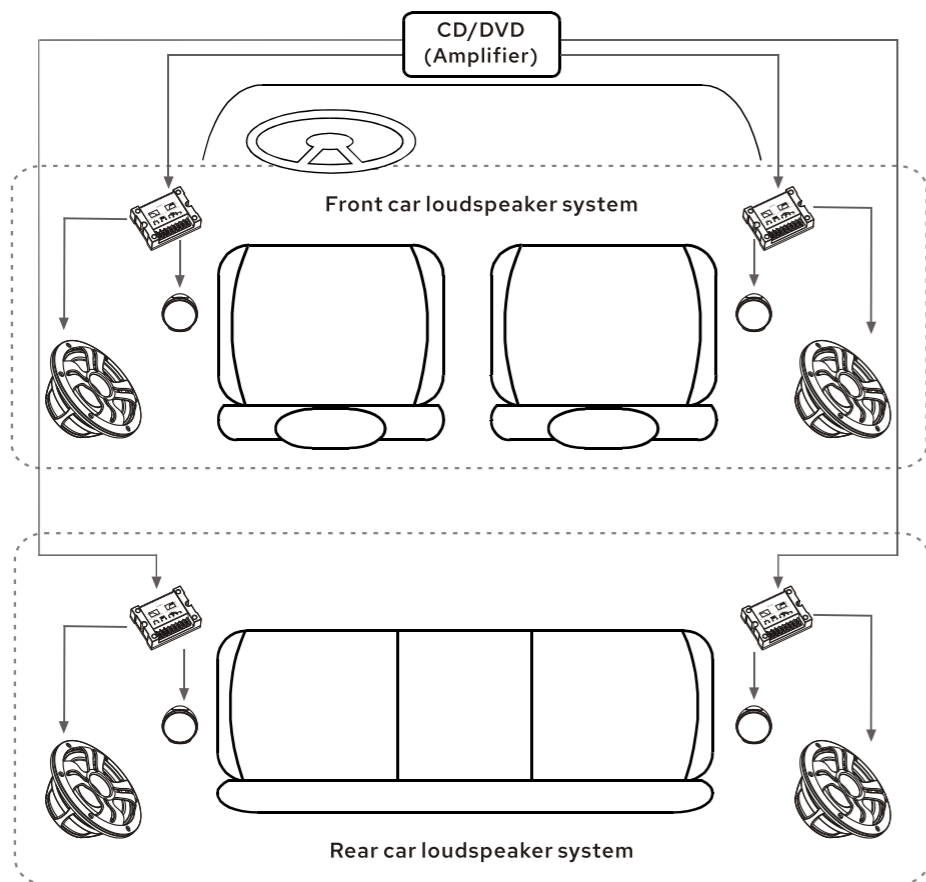
D SERIES MANUAL



Thank you for your purchase of Car-Audio Speaker Systems. Please read the following installation and operation guidelines carefully to ensure many years enjoyment of car audio speaker system. All Speaker Systems products should be set-up and installed by authorized and licensed technicians. Though this manual narrates the installation, it didn't show the remove of car. If you got no experience of this, please don't set up by yourself, you can inquire at the experienced car service office.

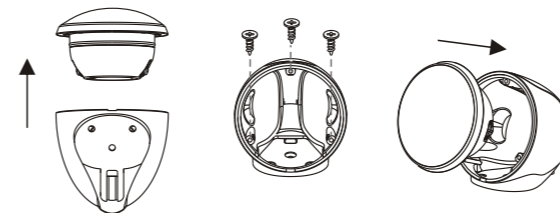
———— Please note your car is on flameout situation!

Circuit diagram Please connect according to the following circuit diagram



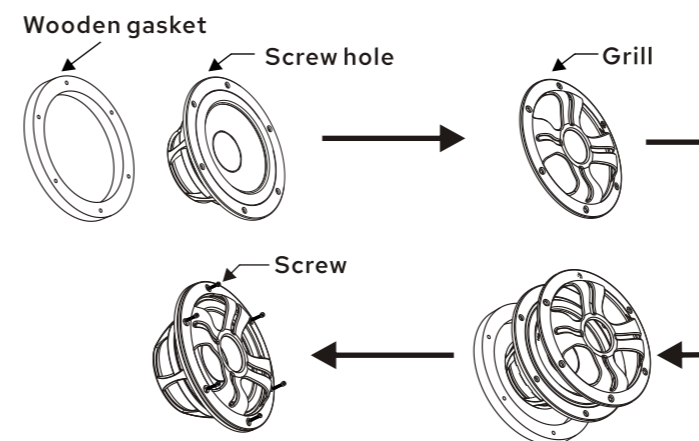
Tweeter installation

1. Fetch the tweeter from the back, drill three screws on the back grill according to the graph. (Adjust the back grill orientation to get the best listening effect)
2. Fix the back, put the tweeter in it.



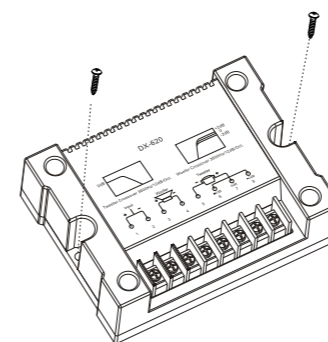
Woofer installation

1. Down the car glass to the bottom, put the woofer into the install hole, make sure not to affect the car window, if do, when equipped you have to add the collocate gasket we offer.
2. Put the woofer to the position you want to install, marking your screw position, then drill 6 holes with the 3.5mm aiguilles. You can omit this process if your original hole is conformable. And then screw the gasket. And the woofer on to the door, air leak is forbidden, which is crucial to the woofer playback.



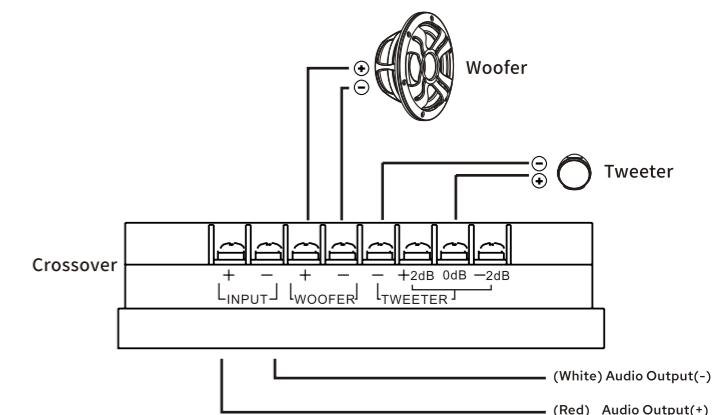
Installation of crossover

1. Please make sure to check that the crossover will properly fit in the place you have selected for mounting. Once you are sure the position is ideal screw then crossover into position (See figure below).



Connection

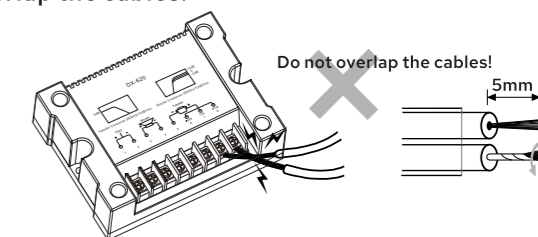
1. Tweeter / Bass connection diagram.



Notice: Three tweeter options of +2dB, 0dB, -2dB for you choose dependant on your cars internal acoustic environment and individual tastes.

Notice

Remove wire insulator about 5mm not longer (See figure as below), in order to protect circuit, avoid causing a short circuit between the anode (+) and cathode (-) cables of loudspeaker. Rest wire core tightly and do not overlap the cables!



Specifications:

Model	DX-620
6.5" midrange woofer	DX620W
28mm silk dome tweeter	DX28T
Sensitivity	88dB
Frequency Response	60-20KHz
Max Power	120W
Power Handling	60W
Rating Impedance	4Ω
Installation Size	∅158mm
Hole Size	∅140mm
Installation Depth	>68mm
Net size	∅175x18mm
Crossover point	3.6KHz
High pass decay rate	12dB/Octave
Low pass decay rate	12dB/Octave

HI-END CAR LOUDSPEAKER SYSTEM
www.hivi.com