

**Features:**

- Nominal Power Handling: 20W (continuous 96h tests)
- Sensitivity: 90db(2.83V 1m/1W)
- Aluminum die-cast basket
- Winding a layer of voice coil each for inside and outside
- High Quality & Reasonable Price



## SPECIFICATIONS

APPLICATION	2- or 3-way systems	
Nominal impedance	Ohm	8
Power handling	W	20
Sensitivity(1W/1m)	dB	90
Frequency response	Hz	120-16K
Voice coil diameter	mm	25.5
Voice coil material		Cu
Voice coil winding depth	mm	8.9
Magnet gap depth	mm	20
Basket		Cast Aluminum
Effect.diaphragm diameter D	mm	131

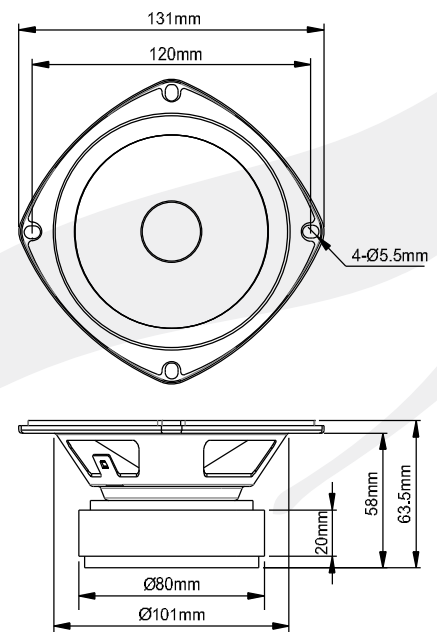
### THIELE - SMALL PARAMETERS

Resonance frequency	Fs	Hz	120
DC resistance	Re	Ohm	6.8
Mechanical Q factor	Qms		7.743
Electrical Q factor	Qes		0.354
Total Quality factor	Qts		0.339
Equivalent volume	Vas	L	24.237
Moving mass	Mms	g	37.95
Mechanical compl.	Cms	mm/N	205
BL factor	BL	Teslam	14.419
Effective piston area	Sd	mm <sup>2</sup>	205
Max.linear excursion	Xmax	mm	2.45
Half-space efficiency	$\eta$		1.6

### MOUNTING INFORMATION

Overall diameter	mm	131
Mounting holes diameter	mm	6
Bolt circle diameter	mm	96
Baffle cut-out diameter	mm	93
Net weight	Kg	0.85

### Dimension Drawings



### Frequency Response and Impedance Magnitude Curve

